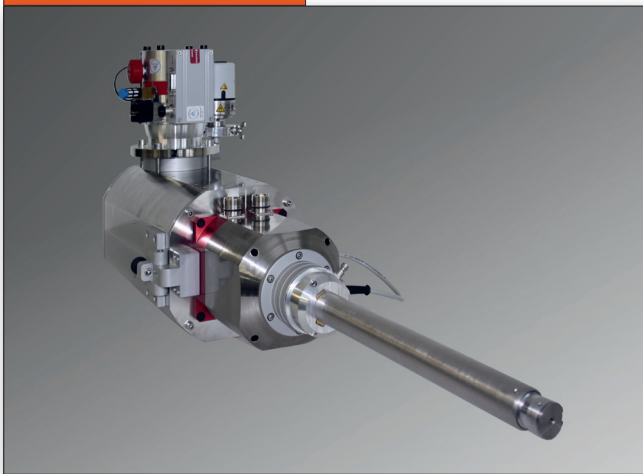


MICROFOCUS X-RAY TUBES

PRODUCT LINE RAC



Product image



Microfocus X-ray tube XWT-225-RAC

Technical data

Data	Product line RAC				
Max. voltage (kV)	160	190	225	240	300
Min. voltage (kV)	20	20	20	20	50
Max. current (mA)	3.0	3.0	3.0	3.0	3.0
Min. current (mA)	0.05	0.05	0.05	0.05	0.05
Max. power, emission (Watt)*	320	320	320	320	320
Focal Spot Size (µm)*	200	200	200	200	200
Tube type	Rod anode				
Target types	Panoramic / Reflection				
Rod anode length (mm)	60 - 1000				
Rod anode diameter (mm)	12 / 15 / 25 / 45				
Tube weight (approx. kg)	40	40	50	50	69

* Depending on diameter and length (see available specifications on page two)



Reflection target

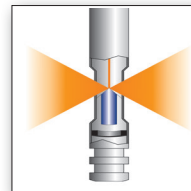


Bottom of reflection target indicating beam direction

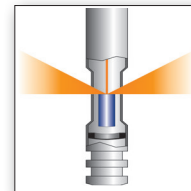


Tool for exchange and alignment of targets

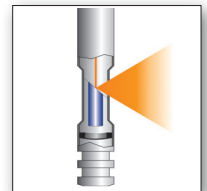
Images show options



Panoramic target (P1)



Panoramic target (P2)



Reflection target (P3)

Highlights

- ▶ Internal cooling of target and sealings
- ▶ Full support of new standard EN ISO 17636
- ▶ Flexible use for film (RT), computed radiography (CR), and digital radiography (DR)
- ▶ Automatic calibration for optimum performance
- ▶ Different target types for high flexibility
- ▶ Easy maintenance with adjusted ready-to-use click-in cathodes and automatic tube venting
- ▶ Unlimited lifetime

See our new catalogue **Options and Accessories** to find additional auxiliary equipment for your X-RAY WorX tube.

Scope of delivery

- ▶ Open microfocus X-ray tube with rod anode, target cooling, turbo vacuum pump, vacuum gauge, and electronic drive unit
- ▶ High voltage generator and high voltage cable
- ▶ Prevacuum pump with vacuum hose
- ▶ Cooling unit with hoses and cooling agent*
- ▶ Tube controller, power supplies, and safety relays on 19" mounting panels
- ▶ Set of cables for electrical connection of X-ray tube and components
- ▶ Spare parts case, documentation, and operating software

* Depending on diameter (see available specifications)

Product Line RAC

Focal spot size

		P3 reflection target	Voltage [kV]				
			60	100	150	190	225
Mode / Target power [W]	Microfocus	10	366	300	300	300	300
		25	367	281	277	286	253
		50	481	357	331	316	254
		100	692	431	431	420	311
		150	793	505	505	500	372
		200	831*	641	570	563	428
		250		653	652	633	481
		320		738**	731	726	575

Focal spot sizes in microns (μm) of XWT-225-RAC, 800 mm length, 45 mm diameter

* 180W, ** 300W

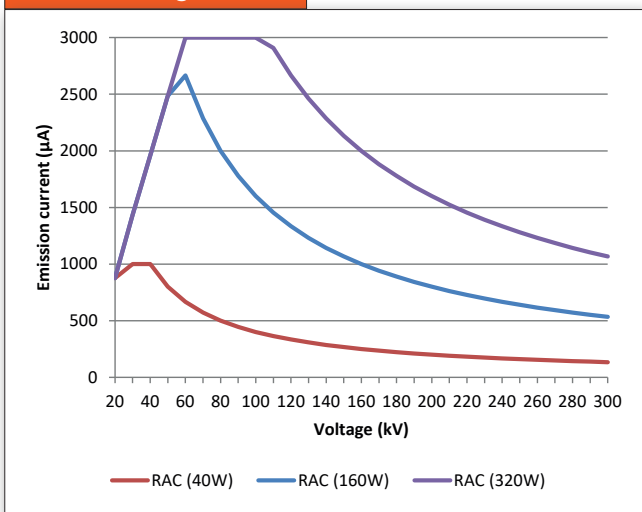
Focal spot size

		P1 panoramic target	Voltage [kV]			
			60	100	150	160
Mode / Target power [W]	Microfocus	10	200	200	200	200
		25	250	220	220	220
		50	332	287	287	287
		75	407	335	335	335
		100	480	376	376	376
		125	530	403	403	403
		150	566	417	417	417
		160	572	419	419	419

Focal spot sizes in microns (μm) of XWT-160-RAC, 300 mm length, 25 mm diameter

Estimated spot sizes based on measurements according to EN/ISO 12543-5. Please note that focal spot sizes vary depending on diameter and length of the rod anode.

Power rating chart



Available specifications

- ▶ **Diameter 12 mm / 15 mm:** length up to 500 mm, convective cooling, max. power 20 W (unlimited exposure time) / 40 W (limited exposure time > 20 W with required cooling time)
- ▶ **Diameter 25 mm:** length up to 1000 mm, internal water cooling, max. power 160 W
- ▶ **Diameter 45 mm:** length up to 1000 mm, internal water cooling, max. power 320 W

Tube dimensions

